

emas[®]

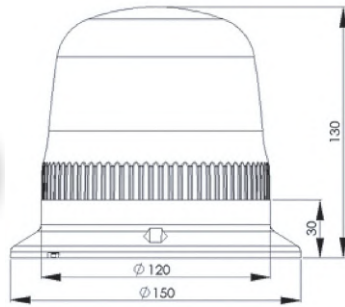


SIGNALLING DEVICES IT Series

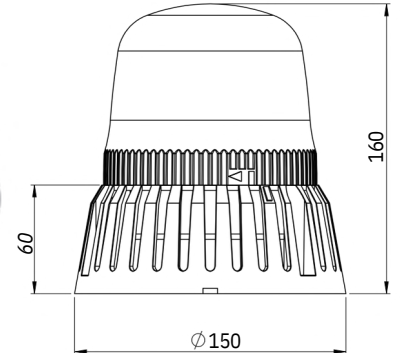
IT Series, IP65



IT120R024



IT120R024Z



Beacon

General Specification;

- Fireproof plastic body
- Polycarbonate lens
- Base and wall-mount
- Unaffected by water, dust, heat and UV.
- Wear-free due to the absence of moving components
- Long life
- Melody and Silent mode. (for Buzzer models)
- 7 LED modes
- IP 65 rating

Technical Specification;

- Operating Voltage: 12-24V AC/DC, 48-110- 220V AC,
- Current consumption: 3,4W (at 24 V DC by rotating mode)
- Operating temperature: -20 / +50 C°
- Storage temperature: -20 / +70 C°
- Six different buzzer voice option between 85dB and 105dB

Modes

- Rotation 100 RPM :
- Rotation 160 RPM :
- Single Blink
- 3 Blink
- 6 Blink
- Right-Left Blink
- Blinker



IT070R024Z

Code	Light	Colour	Features	Voltage	Box / Pcs
IT070R024Z	LED	R	With Buzzer	12-24V AC/DC	1
IT070R240Z	LED	R	With Buzzer	48-240V AC/DC	1
IT070Y024Z	LED	Y	With Buzzer	12-24V AC/DC	1
IT070Y240Z	LED	Y	With Buzzer	48-240V AC/DC	1
IT070G024Z	LED	G	With Buzzer	12-24V AC/DC	1
IT070G240Z	LED	G	With Buzzer	48-240V AC/DC	1
IT070R024C	LED	R	Buzzer Enable	12-24V AC/DC	1
IT070R230C	LED	R	Buzzer Enable	230V AC	1
IT120R024	LED	R		12-24V AC/DC	1
IT120R024Z	LED	R	With Buzzer	12-24V AC/DC	1
IT120R048	LED	R		48V AC	1
IT120R220	LED	R		110-220V AC	1
IT120R220Z	LED	R	With Buzzer	110-220V AC	1
IT120Y024	LED	Y		12-24V AC/DC	1
IT120Y024Z	LED	Y	With Buzzer	12-24V AC/DC	1
IT120Y048	LED	Y		48V AC	1
IT120Y220	LED	Y		110-220V AC	1
IT120Y220Z	LED	Y	With Buzzer	110-220V AC	1
IT120G024	LED	G		12-24V AC/DC	1
IT120G024Z	LED	G	With Buzzer	12-24V AC/DC	1
IT120G048	LED	G		48V AC	1
IT120G220	LED	G		110-220V AC	1
IT120G220Z	LED	G	With Buzzer	110-220V AC	1

Note: Please add "C" letter at the end of the code in order to have buzzer as optional for *IT070 type beacons.