

JA-D/A-1/2/4

Miniature Intermediate Power Relay

■ Features

- 1 CO, 2 CO and 4 CO versions
- Wide coil input voltage range
- Led status indicator
- Test lever with lock function and window
- CE Certification and cURs Approval
- RoHS compliant



Technical Data

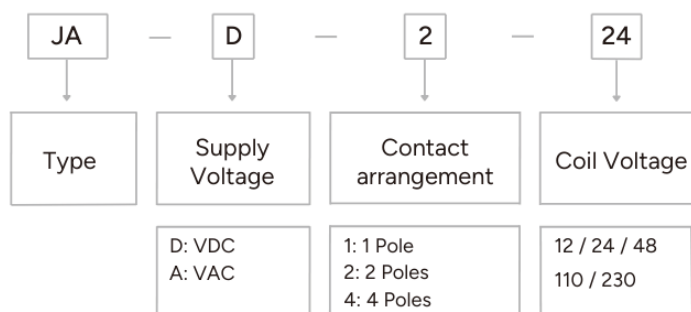
Contact arrangement	1P	2P	4P
Contact material	AgNi 10		
Rated voltage	250VAC		
Permanent current	12A	8A	5A
Max switching capacity (Ohmic)	300W / 24VDC 2500VA / 250VAC	150W / 24VDC 1500VA / 250VAC	120W / 24VDC 1250VA / 250VAC
Response voltage at 25°C	DC: $\geq 75\%$, AC: $\geq 80\%$ of rated voltage		
Drop out voltage at 25°C	DC: $\leq 10\%$, AC: $\leq 30\%$ of rated voltage		
Electrical endurance	$\geq 1 \times 10^5$		
Mechanical endurance	$\geq 1 \times 10^7$		

Characteristics

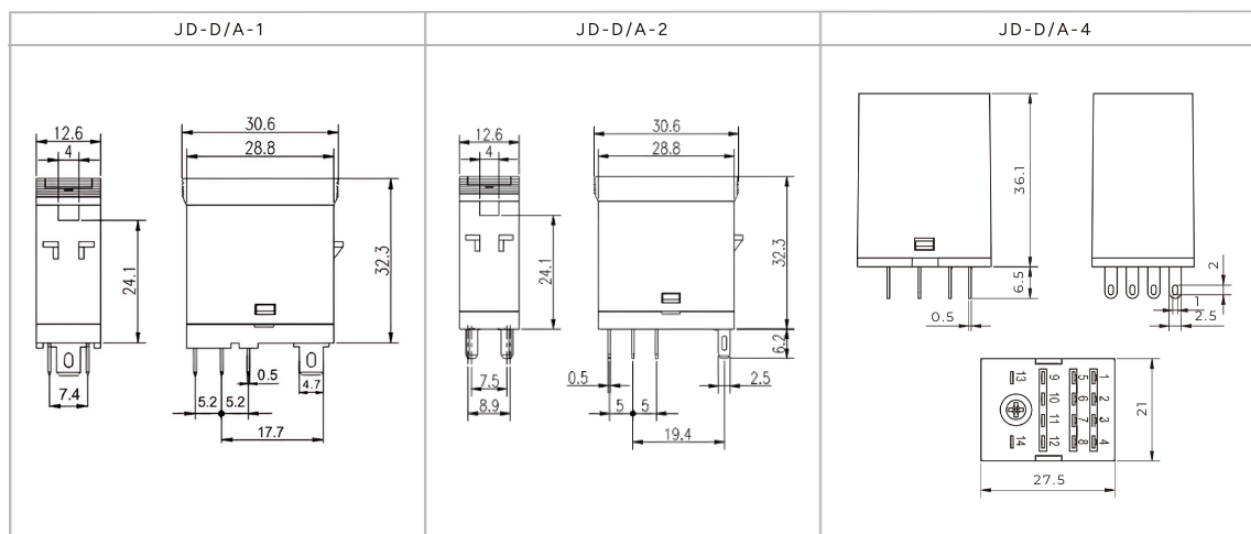
Response time	$\leq 20\text{ms}$		
Release time	$\leq 10\text{ms}$	$\leq 10\text{ms}$	$\leq 20\text{ms}$
Working temperature	$-40^\circ\text{C} \sim +55^\circ\text{C}$	$-40^\circ\text{C} \sim +55^\circ\text{C}$	$-40^\circ\text{C} \sim +70^\circ\text{C}$
Coil power	DC: $\sim 0.53\text{W}$; AC: $\sim 1.0\text{VA}$	DC: $\sim 0.53\text{W}$; AC: $\sim 1.0\text{VA}$	DC: $\sim 0.9\text{W}$; AC: $\sim 1.2\text{VA}$
Atmospheric pressure	86~106KPa		
Environmental humidity	35%~85%RH (no condensation)		
Protection degree	IP20		
Weight	$\sim 20\text{g}$	$\sim 20\text{g}$	$\sim 35\text{g}$
Dielectric strength	Between contacts	1000VAC	
	Between contacts and coil	5000VAC	5000VAC
Shock resistance	10G		
Vibration resistance	10~55Hz: 1.0mm		
Insulation resistance	$\geq 1000\text{M}\Omega$		



Relay Select Code

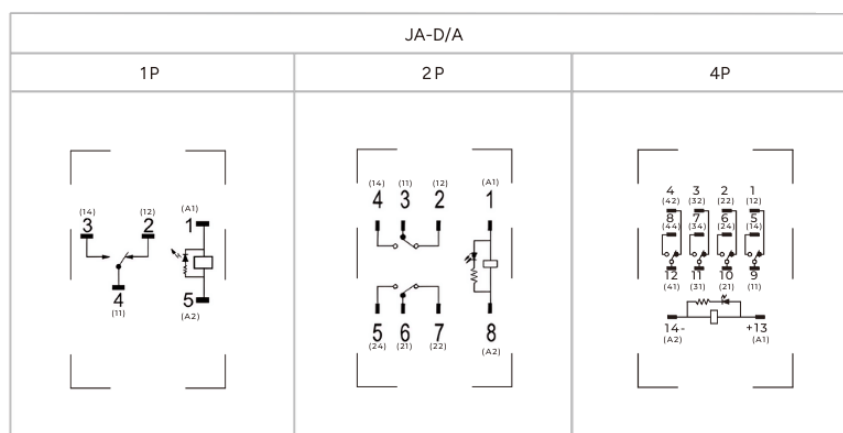


Dimensions



unit: mm

Wiring Diagram



① For DC specifications, please wire correctly after confirming the polarity of the coil.

② The color of LED is AC red, DC green.

③ The action indicator shows the energization of the coil, not according to the contact action.

