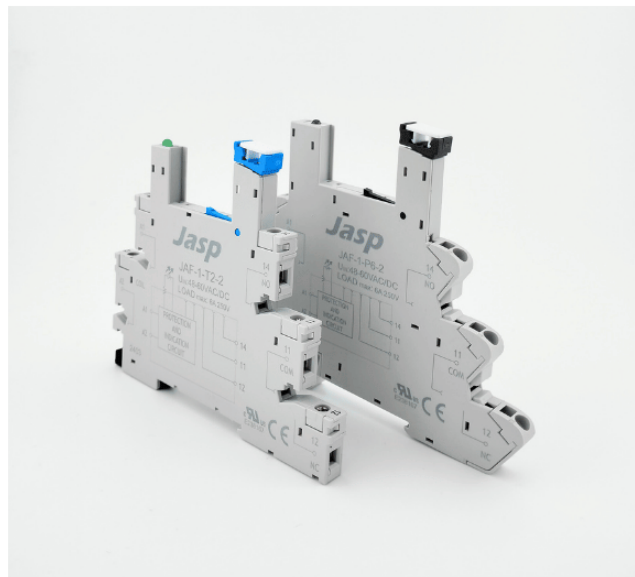


# JAF-1-T2/P6

Push-in and screw socket

## ■ Features

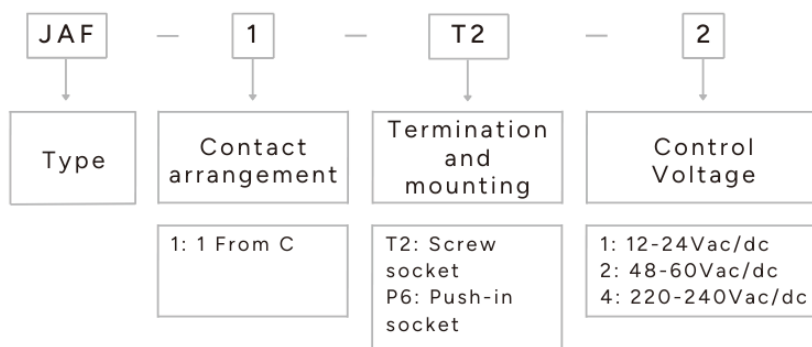
- Screw and Push-In versions
- Wide range of control voltage
- 6.4mm width
- LED indicator
- 1 CO contact arrangement
- Interconnection bridges
- CE Certification and cURs Approval
- RoHS compliant



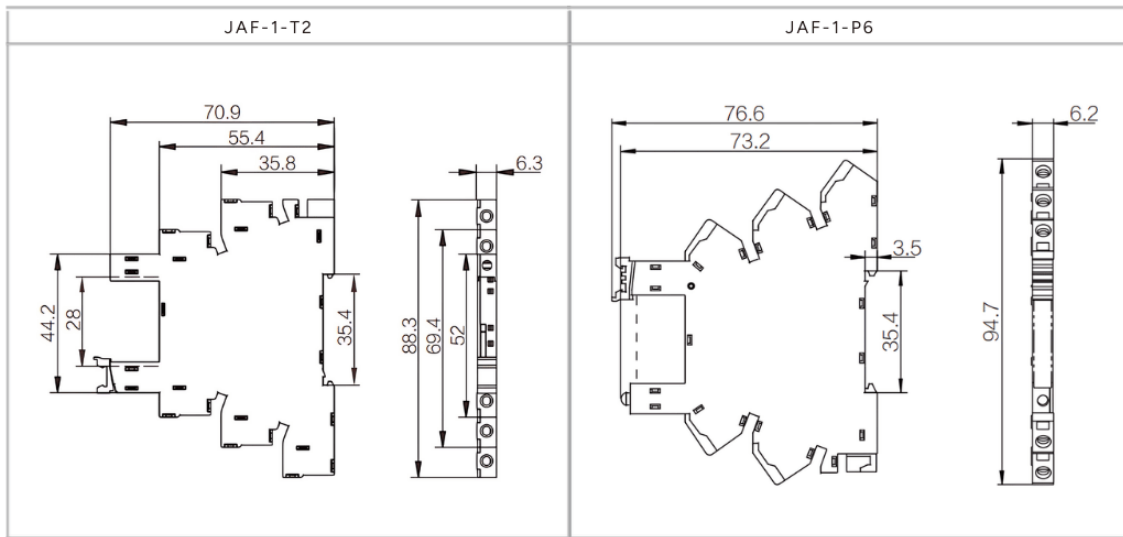
## Technical Data

Number of pins		5
Nominal Load	Current (A)	6A
	Voltage (V)	250VAC
Dielectric strength		4000VAC
Stripping length		7mm
Screw Torque		0.5N·m
Wire size		1x1.5mm <sup>2</sup>   1x16AWG
Ambient temperature		-40°C~+70°C

## ■ Socket Select Code



## ■ Dimensions



unit: mm

## ■ Wiring Diagram

