

JASL52

Multicolor Light 52mm Series



■ Features

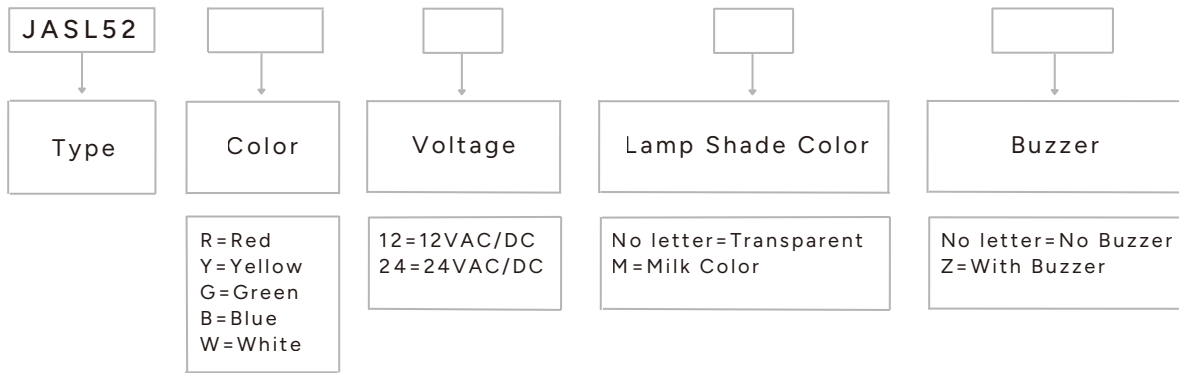
- Compact panel-mount beacon
- Direct panel mounting (Ø22 mm)
- Multicolor signaling in a single module
- High-brightness LED for clear status indication
- Color-coded signal cables for easy wiring
- Lampshade material: PC; Light body material: ABS
- IP54 protection for industrial environments
- Wide operating temperature range
- Integrated 85 dB buzzer available
- NPN / PNP compatible
- CE and RoHS compliant



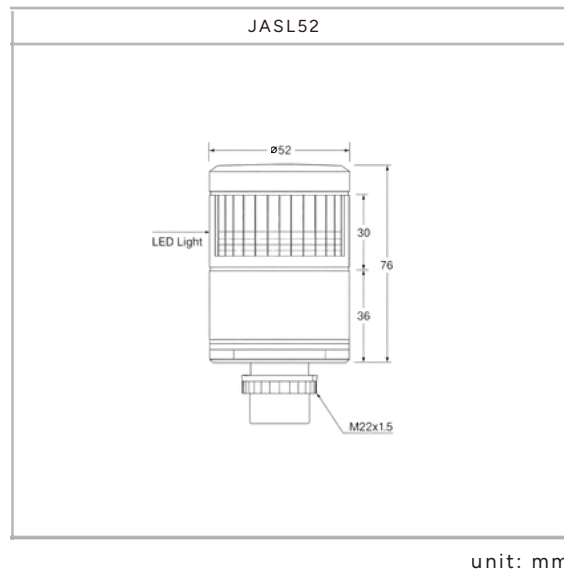
Technical Data

Standard		IEC/EN 61000-6	
Certification		CE, RoHS	
Ambient temperature	Storage	-40°C to +70°C	
	Operating	-25°C to +55°C	
Operating humidity		45 to 85%RH, non-condensing	
Degree of protection		IP54	
Mounting type		Panel mounting	
Mounting hole diameter		Ø22 mm	
Outer diameter		Ø52 mm	
Connection		UL1007 AWG22, length 1500 mm	
Light source		LED	
Rated voltage		12VAC/DC	24VAC/DC
LED current	All Colors	32mA	18mA
Surge current	All Colors	100mA	100mA
Rated insulation voltage (Ui)	IEC60947-1	>800V	
Operating voltage range	IEC60947-5-1	0.85–1.10 Un	
Buzzer	Sound level	85dB	
	Current	18mA	
Electrical life		About 50,000 hours	

Socket Select Code



Dimensions



Wiring Diagram

