

# YSD15S SERIES 15W



SAURÍ's ultra-slim plastic-cased power supply family

## Features

- Input Voltage: 90-264VAC / 127-370VDC
- Available DC Output Voltages: 5V, 12V, 15V, 24V and 48V
- Adjustable Output Voltage
- Protection against: short circuit, overload and overvoltage
- DIN Rail mountable on TS-35/7.5 or 15
- CE, TÜV Certification and cURs Approval
- RoHS compliant



## Technical Data

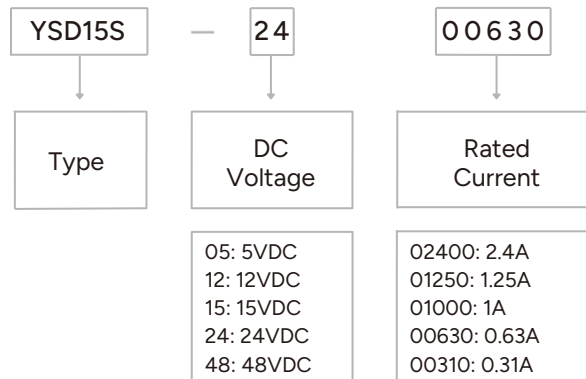
Model N°	YSD15S-0502400	YSD15S-1201250	YSD15S-1501000	YSD15S-2400630	YSD15S-4800310	
Input	Voltage Range	90~264VAC, 127~370VDC				
	Frecuency range	47-63Hz				
	Efficiency	80%	85%	85.5%	86%	87%
	AC Current	0.5A (115VAC) / 0.25A (230VAC)				
	Inrush Current	25A (115VAC) / 45A (230VAC)				
Output	DC Voltage	5V	12V	15V	24V	48V
	Rated Current	2.4A	1.25A	1A	0.63A	0.31A
	Rated Power	12W	15W	15W	15W	15W
	Voltage Adj. Range	4.5-5.5V	10.8-13.8V	13.5-18V	21.6-29V	43.2-55.2V

## Characteristics

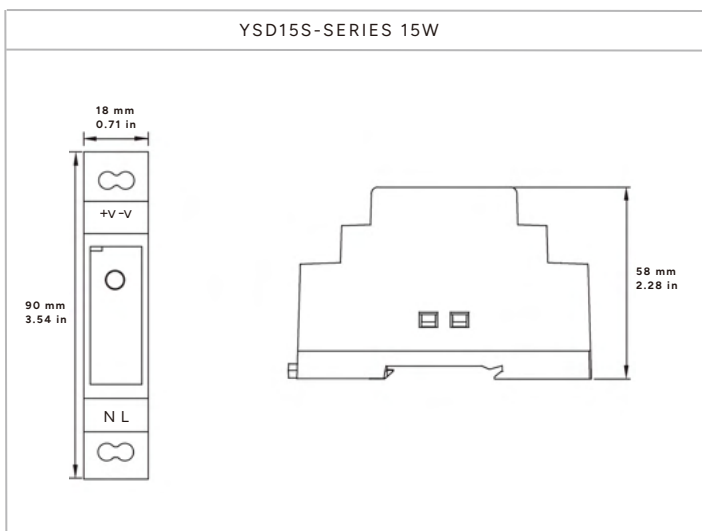
Output	Ripple & Noise	80mVp-p	120mVp-p	120mVp-p	150mVp-p	240mVp-p
	Voltage Tolerance	±2.0%				
	Line Regulation	±1.0%				
	Load Regulation	±1.0%				
	Setup, Rise Time	2000ms, 80ms (230VAC) at full load				
		2000ms, 80ms (115VAC) at full load				
	Hold Up Time (Typ.)	30ms (230VAC) / 12ms (115VAC)				
Over Load	110-145% rated output power					
	Hiccup mode when output voltage <50%, recovers automatically after fault condition is removed					
	Constant current limiting, recovers automatically after fault condition is removed					
Over Voltage	5.75 ~ 6.75V	14.2 ~ 16.2V	18.8 ~ 22.5	30 ~ 36V	56.5 ~ 64.8V	
	Protection type: Shut down o/p voltage, re-power on to recover					
Working Temp.	-20 ~ +70°C					
Working Humidity	20-90% RH non-condensing					
Storage Temp.	-40 ~ +85°C					
Storage Humidity	10 ~ 95% RH non-condensing					
Temp. Coeficient	±0.03% / °C (0 ~ 50°C) RH non-condensing					

Vibration	10 ~ 500 Hz, 2G, 10 min/cycle, 60 min on each axis (X, Y, Z). Compliant with IEC60068-2-6
Operating altitude	2000 meters
Over Voltage Category	III; According to EN61558, EN50178, EN60664-1, EN62477-1; altitude up to 2000 meters
Safety Standards	UL62368-1, BS EN/EN62368-1
Withstand voltage	I/P-O/P:3KVAC
Isolation Resistance	I/P-O/P:100M Ohms/500VDC/25°C/70% RH
EMC Emission	BS EN/EN 55032 class B, BS EN/EN IEC 61000-3-2,3
EMC Immunity	BS EN/EN61000-4-2,3,4,5,6,8,11
Weight	78g

## Power Supply Select Code



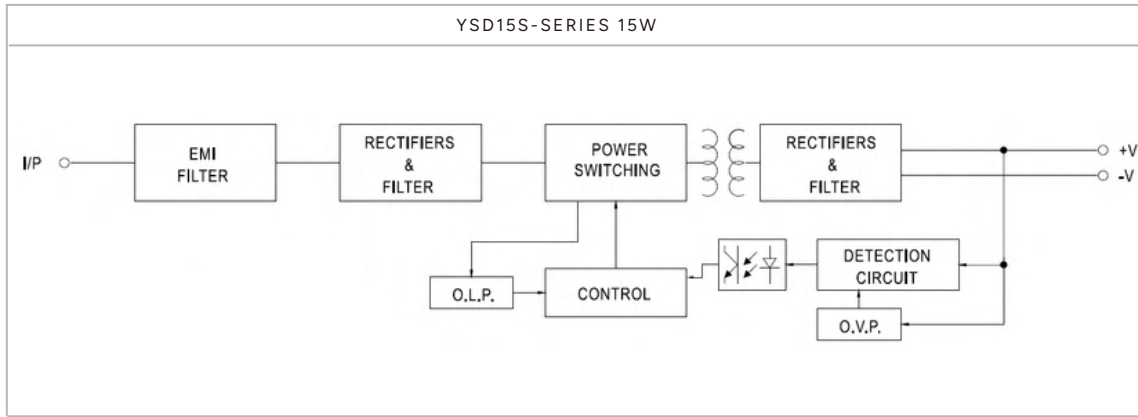
## Dimensions



YSD15S SERIES 15W



## Block Diagram



## Characteristics Curves

