

YSD30S SERIES 30W



SAURÍ's ultra-slim plastic-cased power supply family

Features

- Input Voltage: 90-264VAC / 127-370VDC
- Available DC Output Voltages: 5V, 12V, 15V, 24V and 48V
- Adjustable Output Voltage
- Protection against: short circuit, overload and overvoltage
- DIN Rail mountable on TS-35/7.5 or 15
- CE, TÜV Certification and cURs Approval
- RoHS compliant



Technical Data

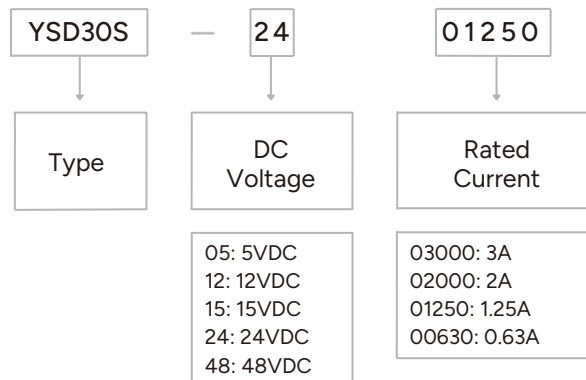
Model N°	YSD30S-0503000	YSD30S-1202500	YSD30S-1502000	YSD30S-2401500	YSD30S-4800630	
Input	Voltage Range	90~264VAC, 127~370VDC				
	Frecuency range	47-63Hz				
	Efficiency	82%	88%	89%	89%	90%
	AC Current	0.88A (115VAC) / 0.48A (230VAC)				
	Inrush Current	COLD START 25A (115VAC) / 45A (230VAC)				
Output	DC Voltage	5V	12V	15V	24V	48V
	Rated Current	3A	2.5A	2A	1.5A	0.63A
	Rated Power	15W	30W	30W	36W	30W
	Voltage Adj. Range	4.5-5.5V	10.8-13.8V	13.5-18V	21.6-29V	43.2-55.2V

Characteristics

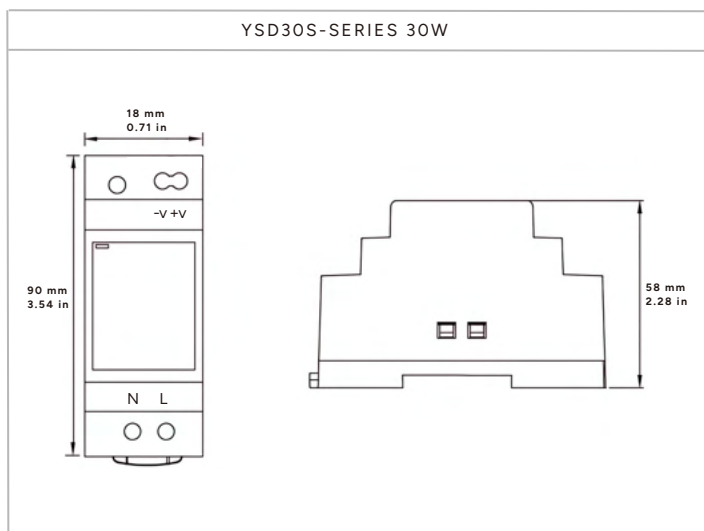
Output	Ripple & Noise	80mVp-p	120mVp-p	120mVp-p	150mVp-p	240mVp-p
	Voltage Tolerance	±2.0%				
	Line Regulation	±1.0%				
	Load Regulation	±1.0%				
	Setup, Rise Time	500ms, 50ms (230VAC) at full load				
	Hold Up Time (Typ.)	500ms, 50ms (115VAC) at full load				
Over Load		30ms (230VAC) / 12ms (115VAC)				
		110-145% rated output power				
		Hiccup mode when output voltage < 50%, recovers automatically after fault condition is removed				
Over Voltage		Constant current limiting, recovers automatically after fault condition is removed				
		5.75 ~ 7.5V	15 ~ 18V	18.8 ~ 22.5V	30 ~ 36V	57.6 ~ 67.2V
Working Temp.	Protection type: Shut down o/p voltage, re-power on to recover					
Working Humidity	-20 ~ +70°C					
Storage Temp.	20 ~ 90% RH non-condensing					
Storage Humidity	-40 ~ +85°C					
Temp. Coefficient	10 ~ 95% RH non-condensing					
	±0.03% / °C (0 ~ 50°C) RH non-condensing					

Vibration	10 ~ 500 Hz, 2G, 10 min/cycle, 60 min on each axis (X, Y, Z). Compliant with IEC60068-2-6
Operating altitude	2000 meters
Over Voltage Category	III; According to EN61558, EN50178, EN60664-1, EN62477-1; altitude up to 2000 meters
Safety Standards	UL62368-1, BS EN/EN62368-1
Withstand voltage	I/P-O/P:3KVAC
Isolation Resistance	I/P-O/P:100M Ohms/500VDC/25°C/70% RH
EMC Emission	BS EN/EN 55032 class B, BS EN/EN IEC 61000-3-2,3
EMC Immunity	BS EN/EN61000-4-2,3,4,5,6,8,11
Weight	120g

Power Supply Select Code



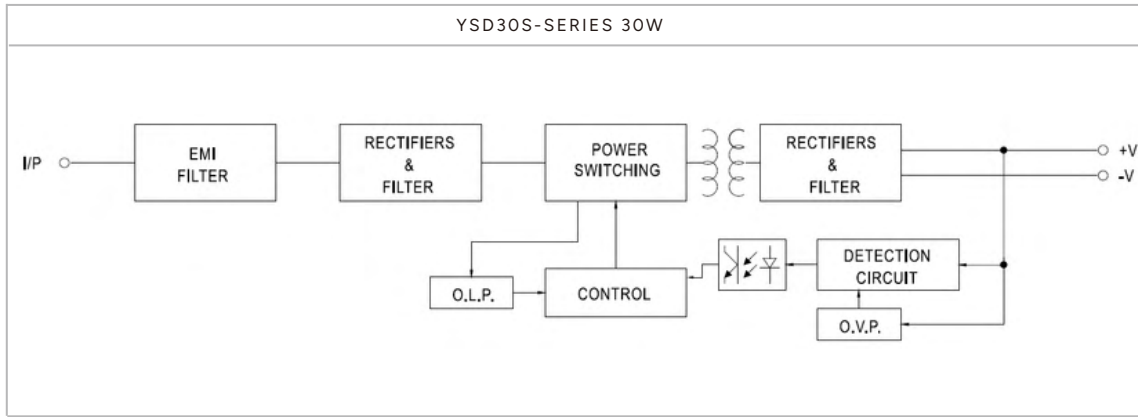
Dimensions



YSD30S SERIES 30W



Block Diagram



Characteristics Curves

