

YSD60S SERIES 60W



SAURÍ's ultra-slim plastic-cased power supply family

Features

- Input Voltage: 90-264VAC / 127-370VDC
- Available DC Output Voltages: 5V, 12V, 15V, 24V and 48V
- Adjustable Output Voltage
- Protection against: short circuit, overload and overvoltage
- DIN Rail mountable on TS-35/7.5 or 15
- CE, TÜV Certification and cURs Approval
- RoHS compliant



Technical Data

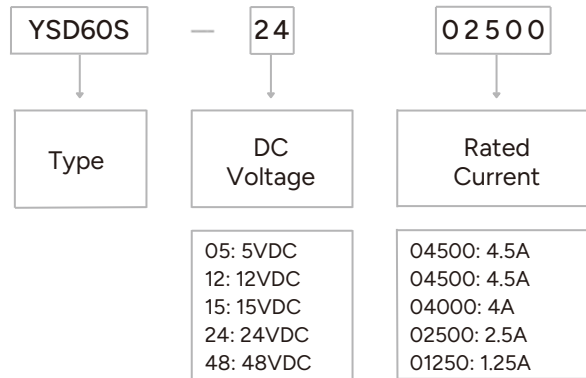
| Model N° | YSD60S-0504500 | YSD60S-1204500 | YSD60S-1504000 | YSD60S-2402500 | YSD60S-4801250 | |
|----------|-----------------------|--|----------------|----------------|----------------|-----------------------|
| Input | Voltage Range | | | | | 90~264VAC, 127~370VDC |
| | Frequency range | | | | | 47-63Hz |
| | Efficiency | 85% | 88% | 89% | 90% | 91% |
| | AC Current | 1.2A (115VAC) / 0.8A (230VAC) | | | | |
| | Inrush Current (max.) | COLD START 30A (115VAC) / 60A (230VAC) | | | | |
| Output | DC Voltage | 5V | 12V | 15V | 24V | 48V |
| | Rated Current | 4.5A | 4.5A | 4A | 2.5A | 1.25A |
| | Rated Power | 22.5W | 54W | 60W | 60W | 60W |
| | Voltage Adj. Range | 4.0-6.0V | 11.0-13.0V | 14.0-16.0V | 23.0-25.0V | 47.0-49.0V |

Characteristics

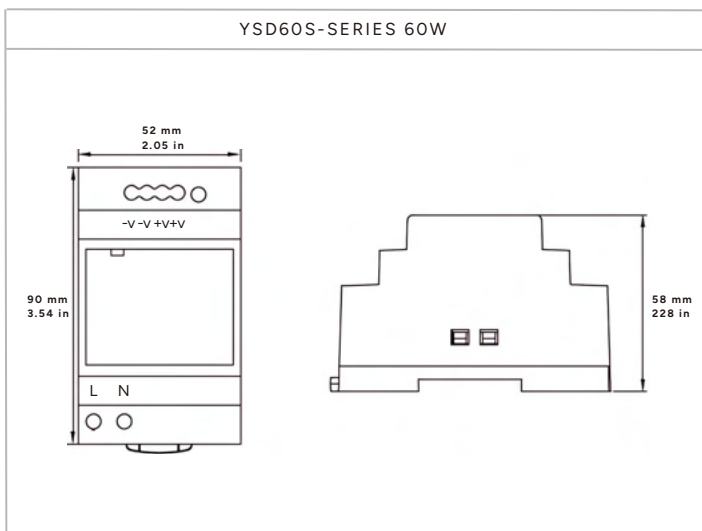
| | | | | | | |
|-------------------|--|--|--------------|--------------|----------|--------------|
| Output | Ripple & Noise | 80mVp-p | 120mVp-p | 120mVp-p | 150mVp-p | 240mVp-p |
| | Voltage Tolerance | ±2.0% | | | | |
| | Line Regulation | ±1.0% | | | | |
| | Load Regulation | ±1.0% | | | | |
| | Setup, Rise Time | 500ms, 50ms (230VAC) at full load | | | | |
| | Hold Up Time | 500ms, 50ms (115VAC) at full load | | | | |
| Over Load | | 30ms (230VAC) / 12ms (115VAC) | | | | |
| | | 105 ~ 160% rated output power | | | | |
| | | Hiccup mode when output voltage < 50%, recovers automatically after fault condition is removed | | | | |
| Over Voltage | | Constant current limiting, recovers automatically after fault condition is removed | | | | |
| | | 5.75 ~ 6.75V | 14.2 ~ 16.2V | 18.8 ~ 22.5V | 30 ~ 36V | 56.5 ~ 64.8V |
| Working Temp. | Protection type: Shut down o/p voltage, re-power on to recover | | | | | |
| Working Humidity | -20 ~ +70°C | | | | | |
| Storage Temp. | 20 ~ 90% RH non-condensing | | | | | |
| Storage Humidity | -40 ~ +85°C | | | | | |
| Temp. Coefficient | 10 ~ 95% RH non-condensing | | | | | |
| | ±0.03% / °C (0 ~ 50°C) RH non-condensing | | | | | |

| | |
|-----------------------|---|
| Vibration | 10 ~ 500 Hz, 2G, 10 min/cycle, 60 min on each axis (X, Y, Z). Compliant with IEC60068-2-6 |
| Operating altitude | 2000 meters |
| Over Voltage Category | III; According to EN61558, EN50178, EN60664-1, EN62477-1; altitude up to 2000 meters |
| Safety Standards | UL62368-1, BS EN/EN62368-1 |
| Withstand voltage | I/P-O/P:3KVAC |
| Isolation Resistance | I/P-O/P:100M Ohms/500VDC/25°C/70% RH |
| EMC Emission | BS EN/EN 55032 class B, BS EN/EN IEC 61000-3-2,3 |
| EMC Immunity | BS EN/EN61000-4-2,3,4,5,6,8,11 |
| Weight | 190g |

Power Supply Select Code



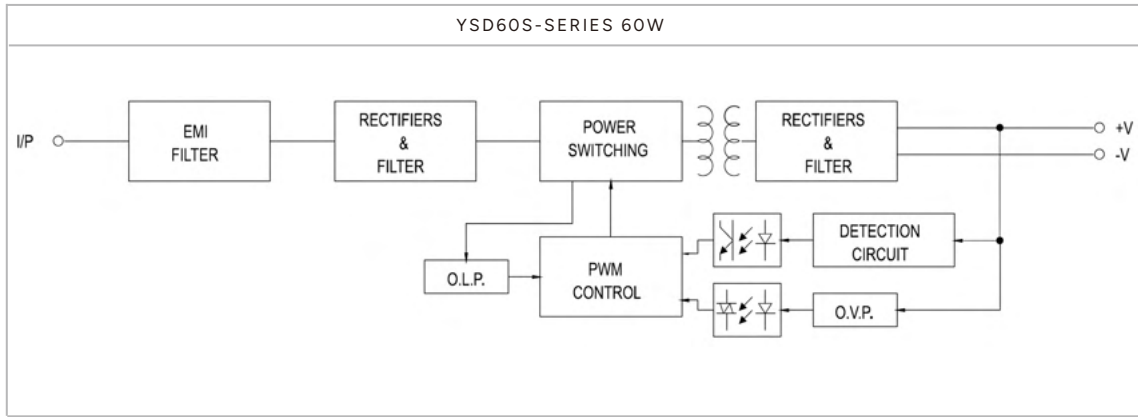
Dimensions



YSD60S SERIES 60W



Block Diagram



Characteristics Curves

