

YSDN240 SERIES 240W



SAURI's metal case power supply family

Features

- Input Voltage: 90~264VAC / 127~370VDC
- Available DC Output Voltages: 24V and 48V
- Adjustable Output Voltage
- Protection against: short circuit, overload, overvoltage and overtemperature
- DIN Rail mountable on TS-35/7.5 or 15
- With build-in active PFC function
- Free Air Convection Design
- UL, CE and TÜV certification
- RoHS compliant



Technical Data

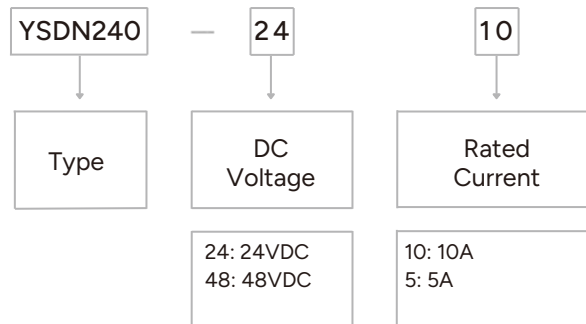
Model N°		YSDN240-24010000	YSDN240-48005000
Input	Voltage Range	90 ~ 264VAC, 127 ~ 370VDC	
	Frecuency range	47 ~ 63Hz	
	Efficiency (Typ.)	87%	88%
	AC Current (Typ.)	2.5A (115VAC) / 1.3A (230VAC)	
	Inrush Current (Typ.)	37.2A (115VAC) / 70A (230VAC)	
	Leakage Current	<1mA / 240VAC	
Output	DC Voltage	24V	48V
	Rated Current (Max.)	10A	5A
	Rated Power	240W	240W
	Voltage Adj. Range	24-28V	48-55V

Characteristics

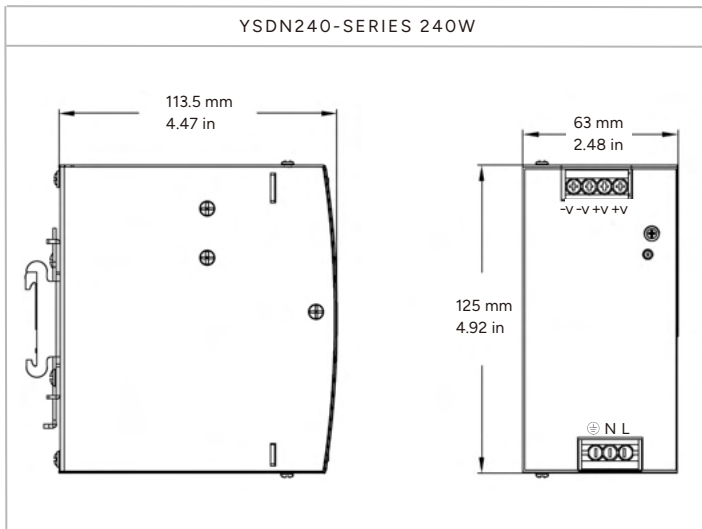
Output	Ripple & Noise (Max.)	150mVp-p	
	Voltage Tolerance	±2.0%	
	Line Regulation	±0.5%	
	Load Regulation	±1.0%	
	Setup, Rise Time	3000ms / 100ms (230V/50Hz at full load)	
		1500ms / 100ms (115V/60Hz at full load)	
Hold Up Time (Typ.)	16ms (230VAC) / 12ms (115VAC)		
Over Load	105-130% rated output power		
	Protection type: Hiccup mode, recovers automatically after fault condition is removed		
Over Voltage	29~33V	56~65V	
Over Temperature	Shut down o/p voltage, recovers automatically after temperature goes down		
Working Temp.	-20 ~ +70°C (Refer to "Derating Curve")		
Working Humidity	20~95% RH non-condensing		
Storage Temp.	-40 ~ +85°C		
Storage Humidity	10 ~ 95% RH		
MTBF	1398.4K hrs min, Telcordia SR-332 (Bellcore)		

Safety Standards	UL508, BS/EN62368-1
Withstand voltage	I/P-O/P:3KVAC I/P-FG:2KVAC O/P-FG:0.5KVAC
Isolation Resistance	I/P-O/P, I/P-FG, O/P-FG:>100M Ohms/500VDC/25 °C/70% RH
EMC Emission	Compliance to BS EN/EN55032, BS EN/EN61000-3-2,-3
EMC Immunity	Compliance to BS EN/EN61000-4-2,3,4,5,6,8,11, BS EN/EN55035, BS EN/EN61000-6-2 (BS EN/EN50082-2)
Weight	1kg

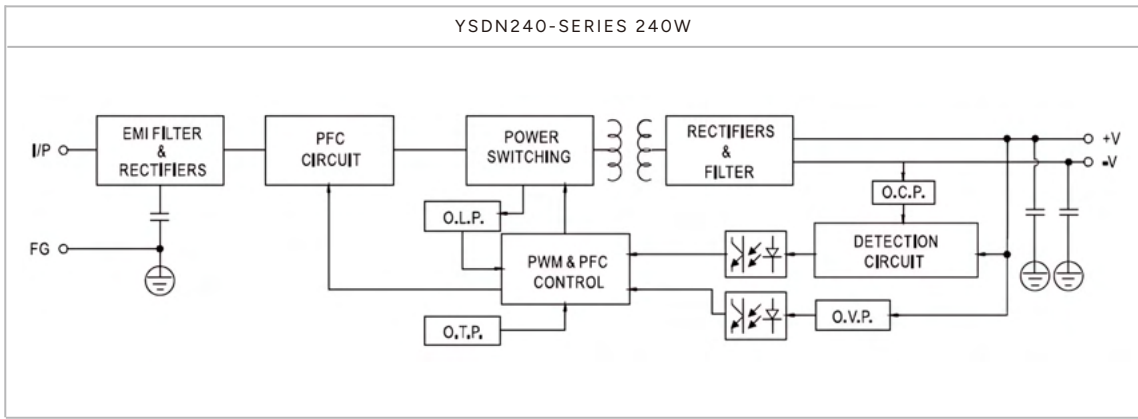
Power Supply Select Code



Dimensions



Block Diagram



Characteristics Curves

