

YSDN75 SERIES 75W



SAURI's metal case power supply family

Features

- Input Voltage: 90~264VAC / 127~370VDC
- Available DC Output Voltages: 12V, 24V, and 48V
- Adjustable Output Voltage
- Protection against: short circuit, overload, overvoltage and overtemperature
- DIN Rail mountable on TS-35/7.5 or 15
- Free Air Convection Design
- UL, CE and TÜV certification
- RoHS compliant



Technical Data

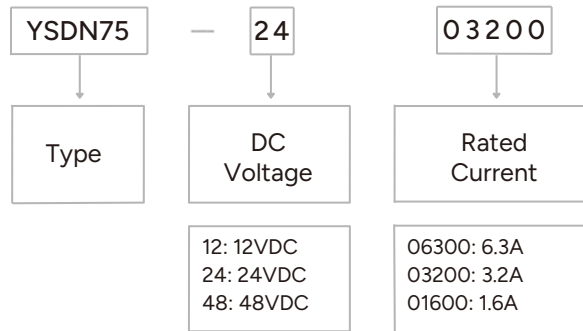
Model N°	YSDN75-1206300	YSDN75-2403200	YSDN75-4801600	
Input	Voltage Range	90 ~ 264VAC, 127 ~ 370VDC		
	Frecuency range	47 ~ 63Hz		
	Efficiency (Typ.)	85.50%	88.00%	88.00%
	AC Current (Typ.)	1.45A (115VAC) / 0.9A (230VAC)		
	Inrush Current (Typ.)	95A (115VAC) / 41A (230VAC)		
	Leakage Current	<1mA / 240VAC		
Output	DC Voltage	12V	24V	48V
	Rated Current (Max.)	6.3A	3.2A	1.6A
	Rated Power	75.6W	76.8W	76.8W
	Voltage Adj. Range	12-14V	24-28V	48-55V

Characteristics

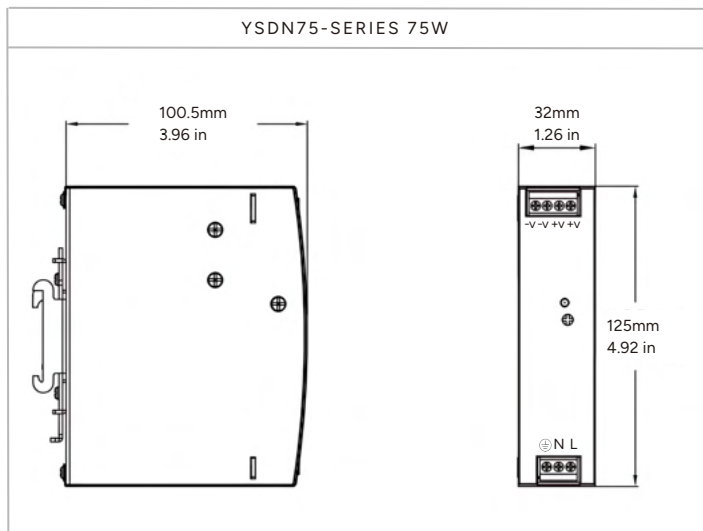
Output	Ripple & Noise (Max.)	80mVp-p	120mVp-p	150mVp-p
	Voltage Tolerance	±2.0%		
	Line Regulation	±0.5%		
	Load Regulation	±1.0%		
	Setup, Rise Time	1200ms, 60ms (230VAC) at full load		
		2000ms, 60ms (115VAC) at full load		
Hold Up Time (Typ.)	60ms (230VAC) / 12ms (115VAC)			
Over Load	105-130% rated output power			
	Protection type: Constant current limiting, recovers automatically after fault condition is removed			
Over Voltage	14~17V	29~33V	56~65V	
Over Temperature	Shutdown o/p voltage, re-power on to recover			
Working Temp.	-20 ~ +70°C (Refer to "Derating Curve")			
Working Humidity	20 ~ 95% RH non-condensing			
Storage Temp.	-40 ~ +85°C			
Storage Humidity	10 ~ 95% RH			
MTBF	2343.7K hrs min. Telcordia SR-332 (Bellcore)			

Safety Standards	UL508, BS/EN62368-1
Withstand voltage	I/P-O/P:3KVAC I/P-FG:2KVAC O/P-FG:0.5KVAC
Isolation Resistance	I/P-O/P, I/P-FG, O/P-FG:>100M Ohms/500VDC/25 °C/70% RH
EMC Emission	Compliance to BS EN/EN55032, BS EN/EN61000-3-2,-3
EMC Immunity	Compliance to BS EN/EN61000-4-2,3,4,5,6,8,11, BS EN/EN55035, BS EN/EN61000-6-2 (BS EN/EN50082-2)
Weight	0.51kg

Power Supply Select Code



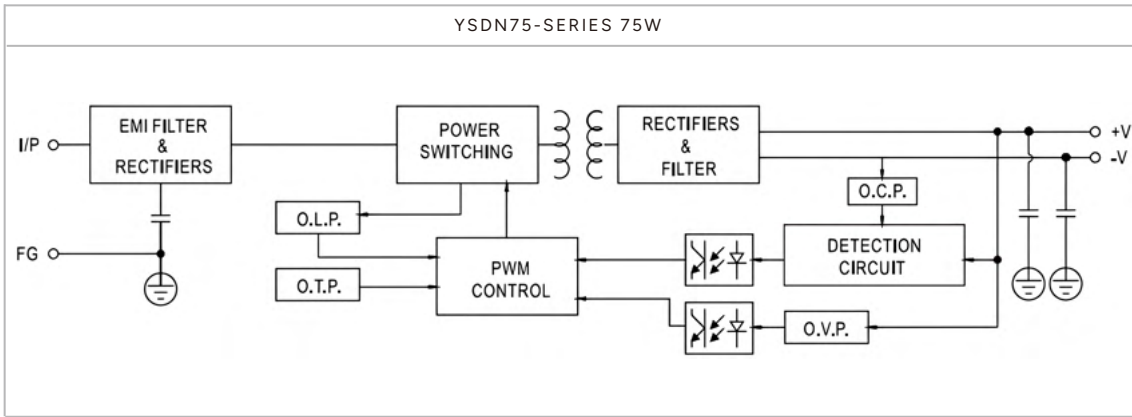
Dimensions



YSDN75 SERIES 75W



Block Diagram



Characteristics Curves

