



Please read this document carefully before using this product. The guarantee will be invalidated if the device is damaged by not following instructions detailed in the manual. The company shall not be responsible for any damage or losses however caused, which may be experienced as a result of the installation or use of this product.

ENDA ERDA1 / ERAA1 Heatsink Integrated Rail Mount Solid State Relays

Thank you for choosing ENDA ERDA1 / ERAA1 Series solid state relays.

- 25 and 40A AC Load current.
- 320 - 480V AC Load voltage.
- 8-30V AC/DC or 90-240V AC input voltage.
- LED status indicator for input voltage.
- Zero-cross switching.
- Applicable for three phase loads.
- Built-in varistor protection.
- Rail mounted.
- CE marked according to European Norms.

ORDER CODE ER D A 1 - 2 25 Z

Product Basic Code	
Rail Mount SSR	ER

Input voltage	
8-30V AC/DC	D
90-240V AC	A

Load voltage	
AC single phase	A

Pole number	
Single pole	1

Switching	
Zero crossing	Z

Load current	
25A AC	25
40A AC	40

Load voltage	
24-320V AC	2
50-480V AC	4



ENVIRONMENTAL CONDITIONS

Ambient/storage temperature	-25... +60 °C / -30... +100 °C (Shouldn't be icing and condensation in ambient).
Relative humidity	50% Relative humidity for +40°C temperature increases up to 90% at +20°C (Shouldn't be condensation).
Pollution degree	2
Overvoltage category	II
Altitude	Max. 1000m
Protection	IP20 According to EN60529

⚠ KEEP AWAY device from exposed to corrosive, volatile and flammable gases or liquids and DO NOT USE the device in similar hazardous locations.

OUTPUT

Order Code	ERxA1-225Z	ERxA1-240Z	ERxA1-425Z	ERxA1-440Z
Load current, AC51/25°C (Arms)	25	40	25	40
Load voltage (Vrms)	24 - 320		50 - 480	
Overload current t=1s/25°C (Arms)	85	150	85	150
Non rep.surge current/25°C (Arms)	250	400	250	400
On-state voltage drop (Vrms)	1,6		1,6	
Leakage current (mArms)	5		5	
I ^t for fusing t=10ms (A ² s)	340	880	340	880
Frequency (Hz)	50 - 60		50 - 60	
Min. operating current (mArms)	160		160	

INPUT

Order Code	ERDA1-xxxZ	ERAA1-xxxZ
Input voltage	8 - 30Vac/dc	90 - 240Vac
Pick-up voltage	> 6Vac/dc	> 75Vac
Drop-out voltage	< 2Vac/dc	< 6Vac
Input current	< 17mAac/10mAdc	< 8mAac
Turn-on time	Maximum ½ Period	Maximum 1 Period
Turn-off time	Maximum ½ Period	Maximum 2 Period
LED indicator	Led lights up when the input voltage exceeds 6V ac/dc	Led lights up when the input voltage exceeds 75V ac.

GENERAL

Order Code	ERxA1-x25Z	ERxA1-x40Z
Dimensions	W24xH84xD97mm	W30xH84xD115mm
Weight	Approx. 203 g (After packaging)	
Isolation Voltage	2500 Vrms 1 between I/O terminals for 1 min.	
Connection	M4 screw-type (2x4mm ² cable or 1x 1x6mm ² cable with insulated terminals).	
Terminal screw torque	Max. 1,2Nm	
Product standard	EN 60947-4-3	
Mounting	Rail mountable (EN60715, TH35 or G-32)	
Enclosure material	Self extinguishing plastics (According to EN 60695-11-10 V-O)	

⚠ Avoid any liquid contact while the device is switched on. DO NOT clean the device with solvent (thinner, gasoline, acid etc.) and / or abrasive cleaning agents.

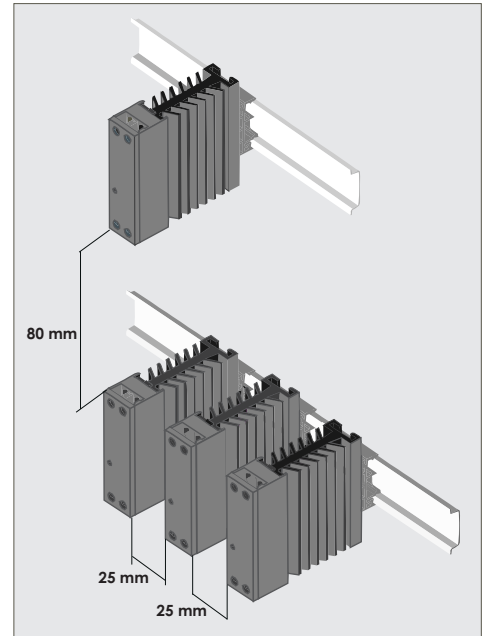
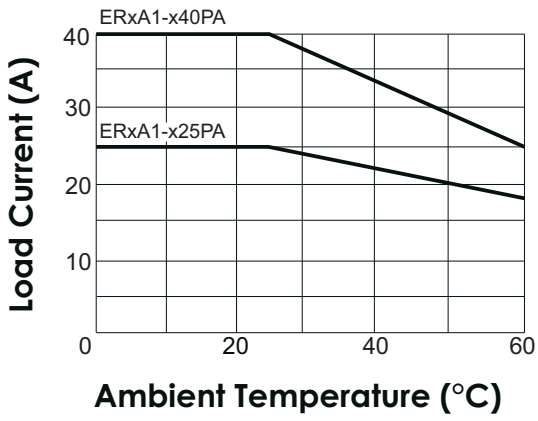


SİSEL MÜHENDİSLİK ELEKTRONİK SAN. VE TİC. A.Ş.
Şerifali Mah. Barbaros Cad. No:18 Y.Dudullu 34775
ÜMRANIYE/İSTANBUL
Tel : +90 216 499 46 64 Pbx. Fax : +90 216 365 74 01
url : www.enda.com.tr



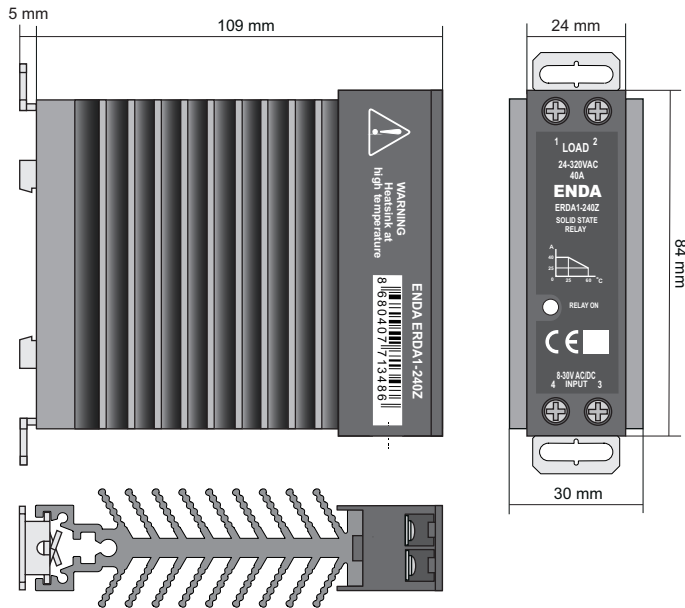
ERxA1-xxZ-EN-05-201207

IT(RMS) A

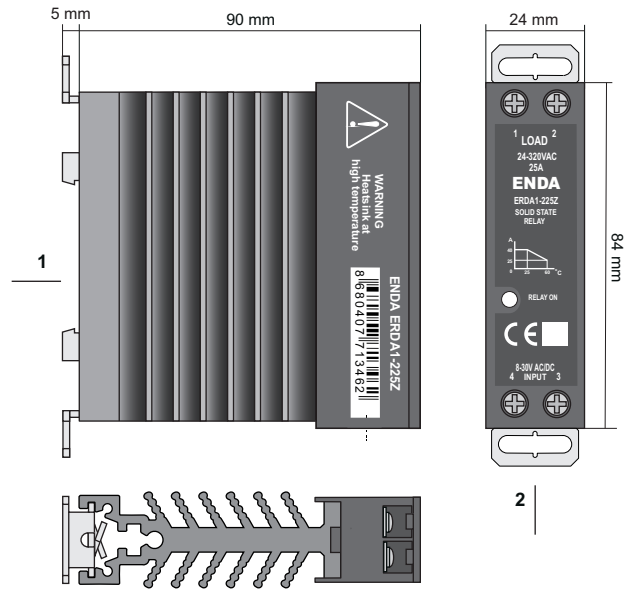


DIMENSIONS

For ERxA1-x40Z ;



For ERxA1-x25Z ;

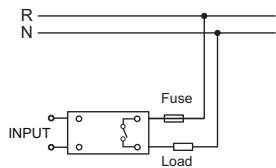


To mount the device on rail :
Assemble the device on the rail and push it to direction 1.

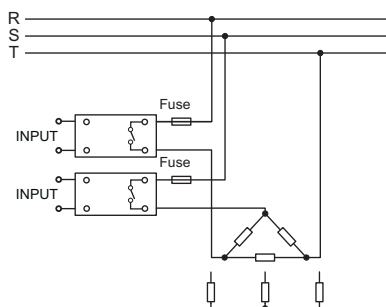
To remove the device from the rail :
By using a screwdriver, push the lockplate in direction 2 and pull the device from rail.

CONNECTION SAMPLES

Single Phase Load Application



Three Phase Load Application With The Two SSRs



Three Phase Load Application With The Three SSRs

