

# YSDN150 SERIES 150W



SAURI's metal case power supply family

## Features

- Input Voltage: 90-264VAC / 127-370VDC
- Available DC Output Voltages: 12V, 24V, and 48V
- Adjustable Output Voltage
- Protection against: short circuit, overload, overvoltage and overtemperature
- DIN Rail mountable on TS-35/7.5 or 15
- Free Air Convection Design
- UL, CE and TÜV certification
- RoHS compliant



## Technical Data

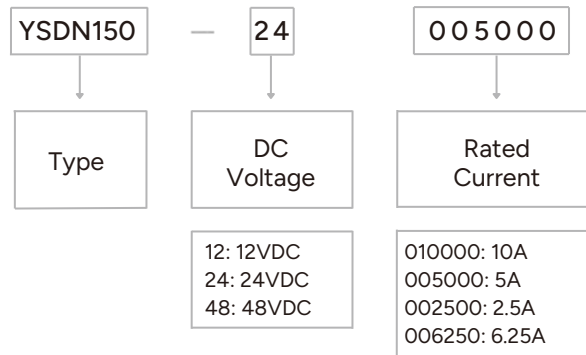
Model N°	YSDN150-12010000	YSDN150-24005000	YSDN150-48002500	YSDN150-24006250		
Input	Voltage Range	90~264VAC, 127~370VDC				
	Frecuency range	47-63Hz				
	Efficiency (Typ.)	85.5%	88%	89%	87%	
	AC Current (Typ.)	2.25A (115VAC) / 1.3A (230VAC)				
	Inrush Current (Typ.)	47.8A (115VAC) / 92.5A (230VAC)				
	Leakage Current	<1mA / 240VAC				
Output	DC Voltage	12V	24V	48V	24V	24V
	Rated Current (Max.)	10A	5A	2.5A	6.25A/230	5A
	Rated Power	120W	120W	120W	150W/230VAC	120W/115VAC
	Voltage Adj. Range	12-14V	24-28V	48-55V	24-28V	

## Characteristics

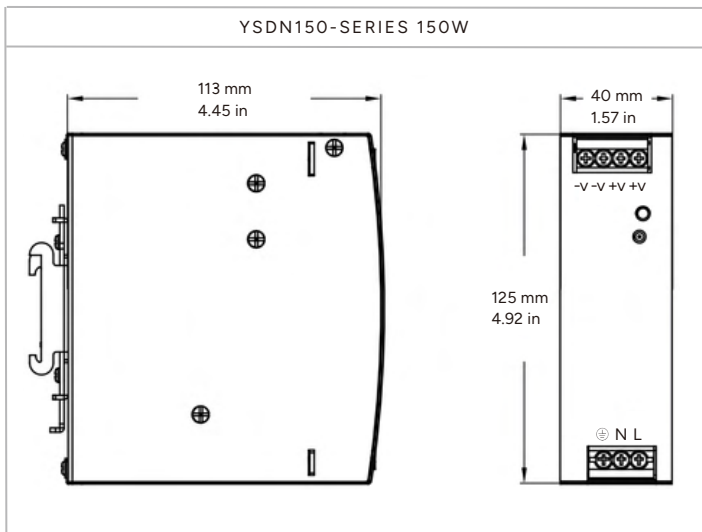
Output	Ripple & Noise (Max.)	100mVp-p	120mVp-p	150mVp-p	150mVp-p	
	Voltage Tolerance	±2.0%				
	Line Regulation	±0.5%				
	Load Regulation	±1.0%				
	Setup, Rise Time	1200ms, 60ms (230VAC) at full load				
		2500ms, 60ms (115VAC) at full load				
Hold Up Time (Typ.)	16ms (230VAC) / 10ms (115VAC)					
Over Load	105-130% rated output power					
	Protection type: Constant current limiting, recovers automatically after fault condition is removed					
Over Voltage	14-17V	29-33V	56-65V	29-33V		
Over Temperature	Shutdown o/p voltage, re-power on to recover					
Working Temp.	-20~+70°C (Refer to "Derating Curve")					
Working Humidity	20-95% RH non-condensing					
Storage Temp.	-40~+85°C					
Storage Humidity	10-95% RH					
MTBF	2241.28K hrs min, Telcordia SR-332 (Bellcore)					

Safety Standards	UL508, BS/EN62368-1
Withstand voltage	I/P-O/P:3KVAC I/P-FG:2KVAC O/P-FG:0.5KVAC
Isolation Resistance	I/P-O/P, I/P-FG, O/P-FG:>100M Ohms/500VDC/25 °C/70% RH
EMC Emission	Compliance to BS EN/EN55032, BS EN/EN61000-3-2,-3
EMC Immunity	Compliance to BS EN/EN61000-4-2,3,4,5,6,8,11, BS EN/EN55035, BS EN/EN61000-6-2 (BS EN/EN50082-2)
Weight	0.6kg

## Power Supply Select Code



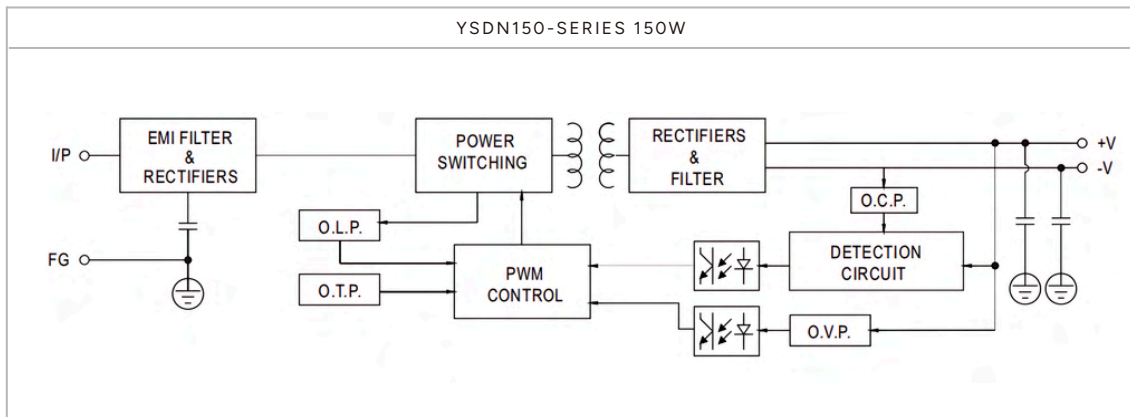
## Dimensions



YSDN150 SERIES 150W



## Block Diagram



## Characteristics Curves

